

# WHEELED CLOSET

---

Technical Sheet



## WHEELED CLOSET

Small and easy to move thanks to its four wheels with breaks that allow you to place it in any room of your house.

It is very practical since you can store clothes and any items you frequently use in it, without having to search through your closet.



# WHEELED CLOSET

## Mirror

Mirror surface covering 3/4 on one side of the furniture.

## Moving

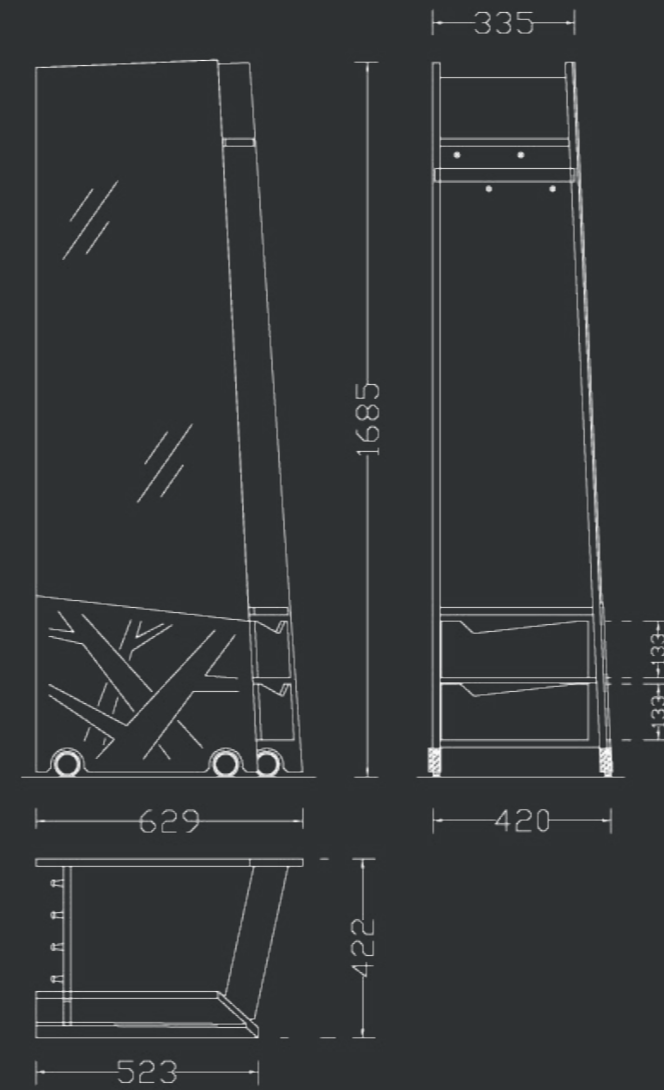
Four wheels with brake to stop at the desired point.

## Wooden Surfaces

Mdf lined with natural oak, rustic oak, oak crack, walnut.

## Drawers

Made of birch. Lined interior with velvet fabric.





The led type lighting units used are produced by the German company Halemeier.

The varnishes applied are Mile- si wood coating, environmentally friendly, with ISO14001 certification.

12/2017

\* Patent design 20 14189813 4,2

## **JOIN S.A.**

A.: Orfeos 200, Egaleo

T.: +30 210 3413910

F.: +30 210 3413911

E.: [info@join.gr](mailto:info@join.gr)

W.: [www.join.gr](http://www.join.gr)

