

# FILIRA

---

## Technical Sheet



## FILIRA

A unique design that steals the spotlight in your bedroom through its finesse. It is ideal for simple bedrooms even without a bedside table.

Finely made down to the last detail, the stitching and upholstery with fabric is by hand, with the possibility to completely remove the fabric that nevertheless does not stand out at first glance.

The tall headboard gives an imposing look to the design and the bed frame makes the bed look like it is floating.



# FILIRA

bed

## Headboard (bed)

Επενδεδυμένο mdf με φυσικό καπλαμά δρύς, δρύς rustic, δεσποτάκι, καρυδιά.

Επικάλυψη με ύφασμα αφαιρούμενο ή καρφωτό.

Η εσωτερική δομή είναι από συμπαγές σκελετό μορισσανίδας και mdf.

## Legs-Crossbeams

Επενδεδυμένο mdf με φυσικό καπλαμά δρύς, δρύς rustic, δεσποτάκι, καρυδιά.

## Frames-Mattress bases:

JOIN offers two types of frames:

**Metal Frame:** a frame made by flexible wooden planks, each at 7cm width, at 3cm distance from each other.

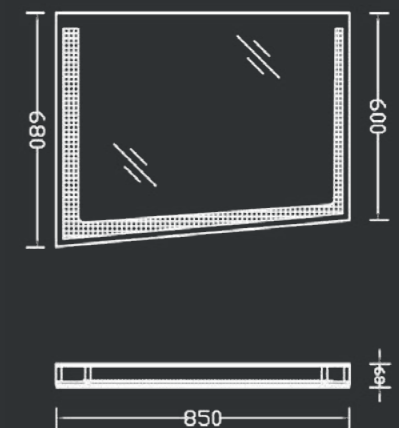
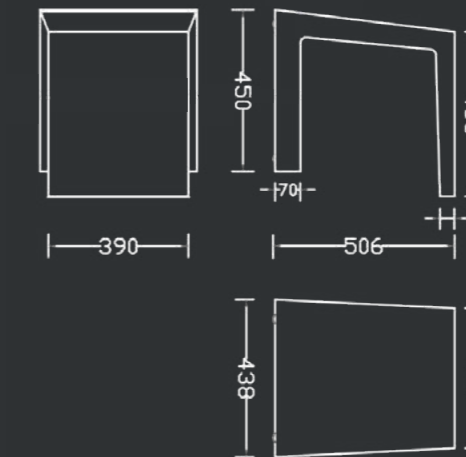
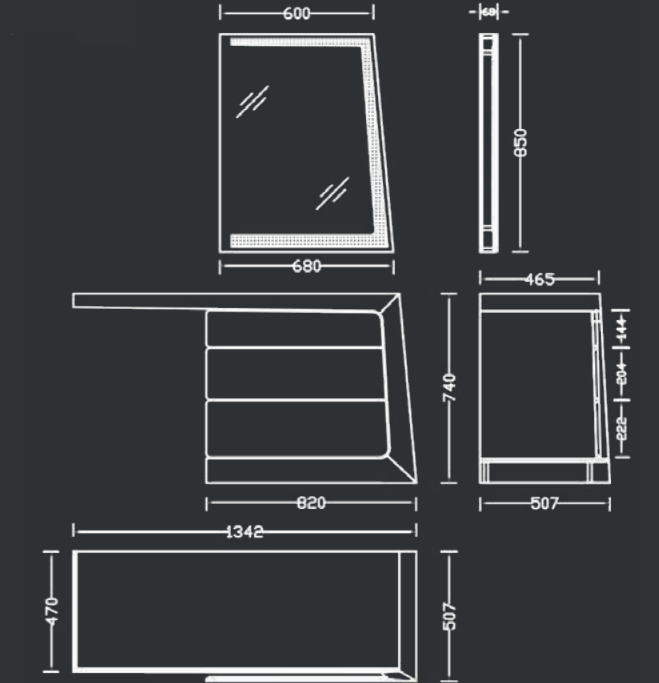
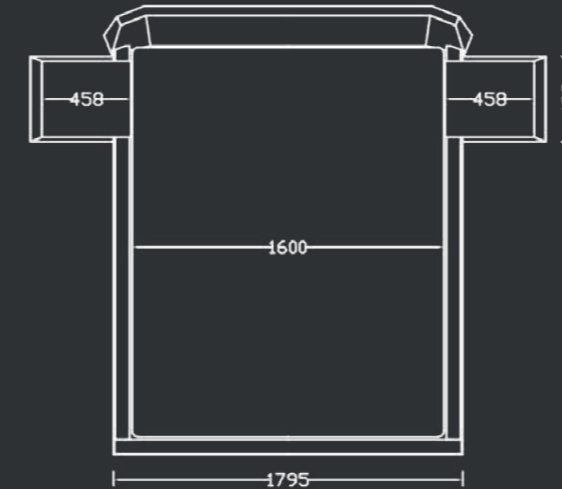
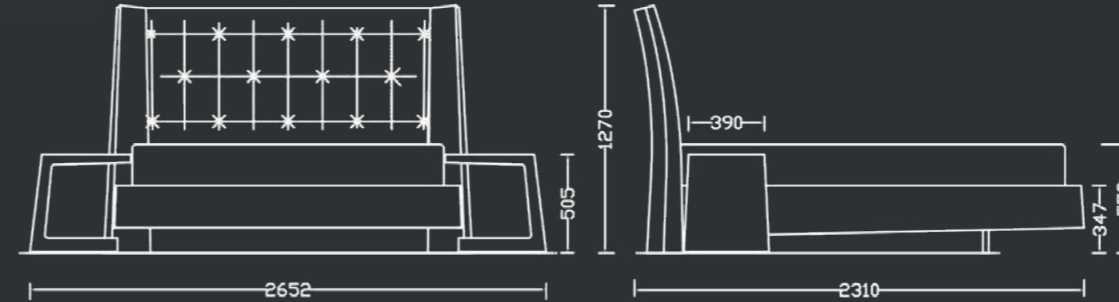
This frame is suitable for mattresses made with the pocket springs system.

**Metal Frame Plus:** a frame made by flat (inflexible) wooden planks, each at 9cm width, at 1.5cm distance from each other.

This type of frame is suitable for latex mattresses.

All frames are lined with Italian fabric of exceptional quality (Bicoppia) in order to minimise the mattress damage and allow it to “breath”.

The standard bed dimensions are for 1,61m x 1,95m and for 1,60m x 2,00m mattresses.



EXTERIOR DIMENSIONS			BEDSIDE TABLE		
Width	Length	Height	Width	Length	Height
284,8 cm (total)	225,4 cm	95 cm	58,5 cm	49,8 cm	43 cm
190,4 cm (headboard)			50 cm		
183,6 cm (front)			45 cm		

# FILIRA

mirror

## TECHNICAL INFORMATION

Η εσωτερική δομή είναι από συμπαγές σκελετό  
μοριοσανίδας και mdf.

### Wooden surfaces:

Επενδεδυμένο mdf με φυσικό καπλαμά δρύς, δρύς rustic,  
δεσποτάκι, καρυδιά.

### Runner systems:

Hettich Quadro 23 SFG, load capacity up to 25 kg, certified  
according to ENISO 9001, guarantee of 80,000 open/close cycles.

Metallic solid iron, coloured with electrostatic paint  
at the base and the knob.



The led type lighting units used at the  
optional equipment are produced by  
the German company Halemeier.

The furniture mechanisms are produced  
by the German company Hettich.

The varnishes applied are Milesi wood  
coating, environmentally friendly, with  
ISO14001 certification.

12/2017

\* Patent design 20 1408593 1,8

## JOIN S.A.

A.: Orfeos 200, Egaleo

T.: 210 3413910

F.: 210 3413911

E.: info@join.gr

W.: www.join.gr

