

DELFI

Technical Sheet



DELFI

«Delfis» could be considered the creation of a great fashion designer as the headboard and the footboard are invested with high-quality leather and alley fabric whose pockets have been ironed by hand one by one.

«Matchmakers» is the solid wood and the solid iron painted with electrostatic paint on the sides of the head, the footboard and the bedside tables.

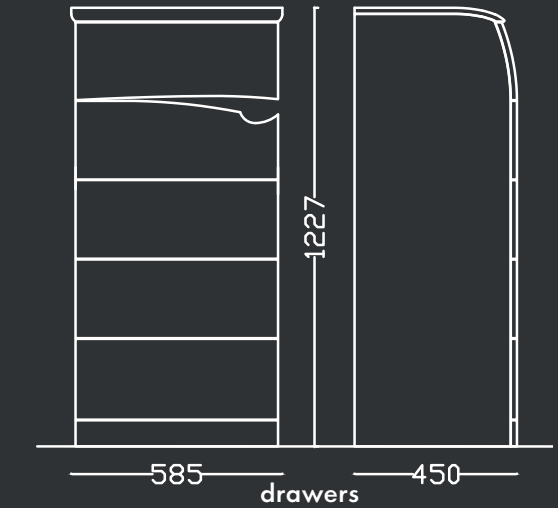
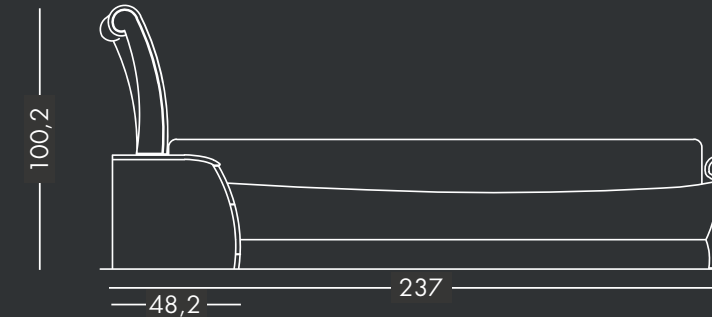
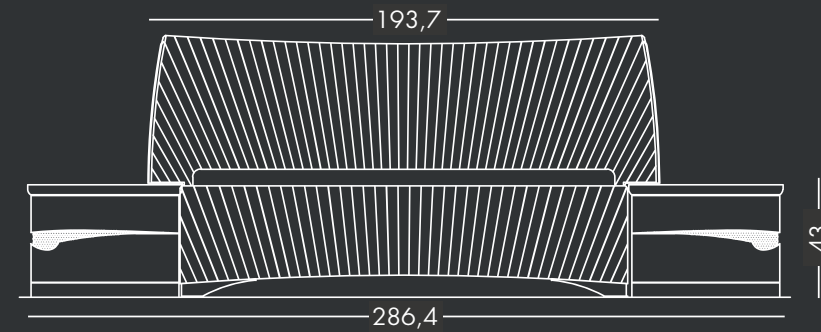


DELFI

bed with bedside tables

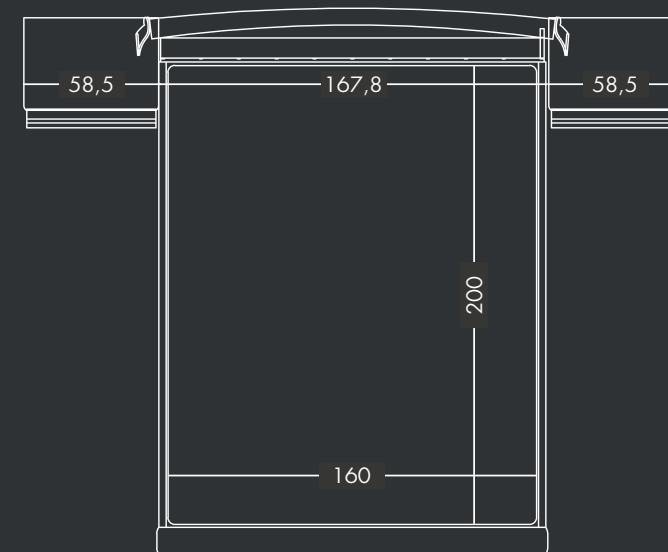
Headboard (bed)

Fabric-leather cover (Gruppo Mastrotto). Special tuck technique.
The internal structure is compact framework by chipboard and mdf.
Metallic solid iron, coloured with electrostatic paint at the side of the headboard.



Legs-Crossbeams

Coated mdf with natural wood veneer or fabric-leather (Gruppo Mastrotto) cover on the leg. Special tuck technique.
Non removable.
Metallic solid iron, coloured with electrostatic paint at the side of the legs.



Frames-Mattress bases

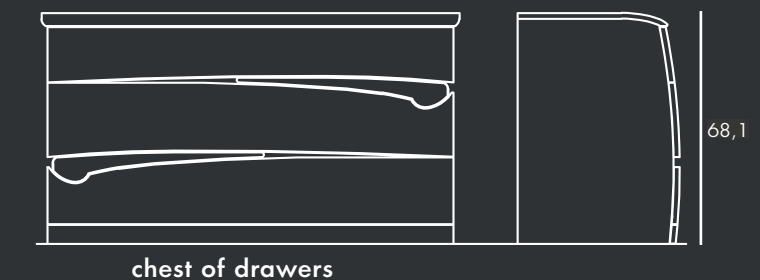
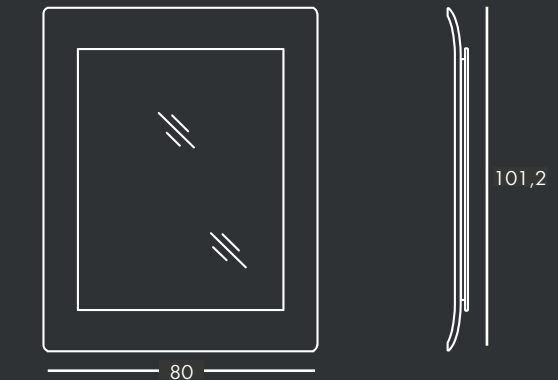
JOIN offers two types of frames:

Join Metal Frame: The frame is made of (8) rows of orthopedic slats, 163mm. wide and 8mm thick, of Spanish eucalyptus wood, covering 74% of the bed frame's free surface; the wooden slats are covered with a beech film face, ideal for special configuration and quality spring mattresses. Upholstered with a special non slip fabric that allows the mattress to breathe.

Join Metal Frame Plus: It is made of rigid wooden boards from eucalyptus, covered with a sheet of natural cork, 185mm wide (to protect the fabric and to stop the mattress from sliding), with 15mm gaps in between for ventilation, covering 89% of the bed frame's free surface.

The product is patented: Patent No1008041 and design patent: Certif. Design No: 6003514.

EXTERIOR DIMENSIONS			BEDSIDE TABLE		
Width	Length	Height	Width	Length	Height
286,4 cm (total)	237 cm	100,2 cm	58,5 cm	48,2 cm	43 cm
193,7 cm (headboard)			50 cm		
169,8 cm (front)			45 cm		



DELFI

bedside table

TECHNICAL INFORMATION

The internal structure is compact framework by chipboard and mdf.

Wooden surfaces:

Mdf, lined with European ash natural veneer.

Runner systems:

Hettich Quadro 23 SFG, load capacity up to 25 kg,
certified according to ENISO 9001, guarantee of 80,000 open/close cycles.

Metallic solid iron, coloured with electrostatic paint at the knob.



DELFI

chest of drawers

TECHNICAL INFORMATION

The internal structure is compact framework by chipboard and mdf.

Wooden surfaces:

Mdf, lined with European ash natural veneer.

Runner systems:

Hettich Quadro 23 SFG, load capacity up to 25 kg,
certified according to ENISO 9001, guarantee of 80,000 open/close cycles.

Metallic solid iron, coloured with electrostatic paint at the knob.

DELFI

drawers

TECHNICAL INFORMATION

The internal structure is compact framework by chipboard and mdf.

Wooden surfaces:

Mdf, lined with European ash natural veneer.

Runner systems:

Hettich Quadro 23 SFG, load capacity up to 25 kg, certified according to ENISO 9001, guarantee of 80,000 open/close cycles.

Metallic solid iron, coloured with electrostatic paint at the knob.



The led type lighting units used at the optional equipment are produced by the German company Halemeier.

The furniture mechanisms are produced by the German company Hettich.

The varnishes applied are Milesi wood coating, environmentally friendly, with ISO14001 certification.

12/2017

* Patent design 20 171000053 1,2

JOIN S.A.

A.: Orfeos 200, Egaleo

T.: 210 3413910

F.: 210 3413911

E.: info@join.gr

W.: www.join.gr

