



## SARA

bed with bedside tables



1/8

### SARA

Sara combines freshness with luxury.

The design is once again dominated by the curves, its typical characteristic, accompanied by an exceptional combination of fabrics at the headboard and the dressing table and bedside tables' knobs.

JOIN puts emphasis on the detail.

A highly aesthetic result, based on the harmony of the material and colour combination.

#### Technical sheet

A. I. TZITZIS P.C.  
Orfeos 200 & Agapis 5 str  
Egaleo - Greece / p.c. 122 41  
T: +30 210 3413910 / F: +30 210 3413911  
e-mail: info@joinbeds.com / www.joinbeds.com

12/2017

\* Patent design 2014060011 1,3

# SARA

bed with bedside tables

## TECHNICAL INFORMATION

### Headboard (bed)

Mdf, lined with oak, rustic oak, European ash, walnut natural veneer.

Fabric-leather-artificial leather cover, removable.

The internal structure is compact framework by chipboard and mdf.

### Legs-Crossbeams

Mdf, lined with oak, rustic oak, European ash, walnut natural veneer.

### Frames-Mattress bases:

JOIN offers two types of frames.

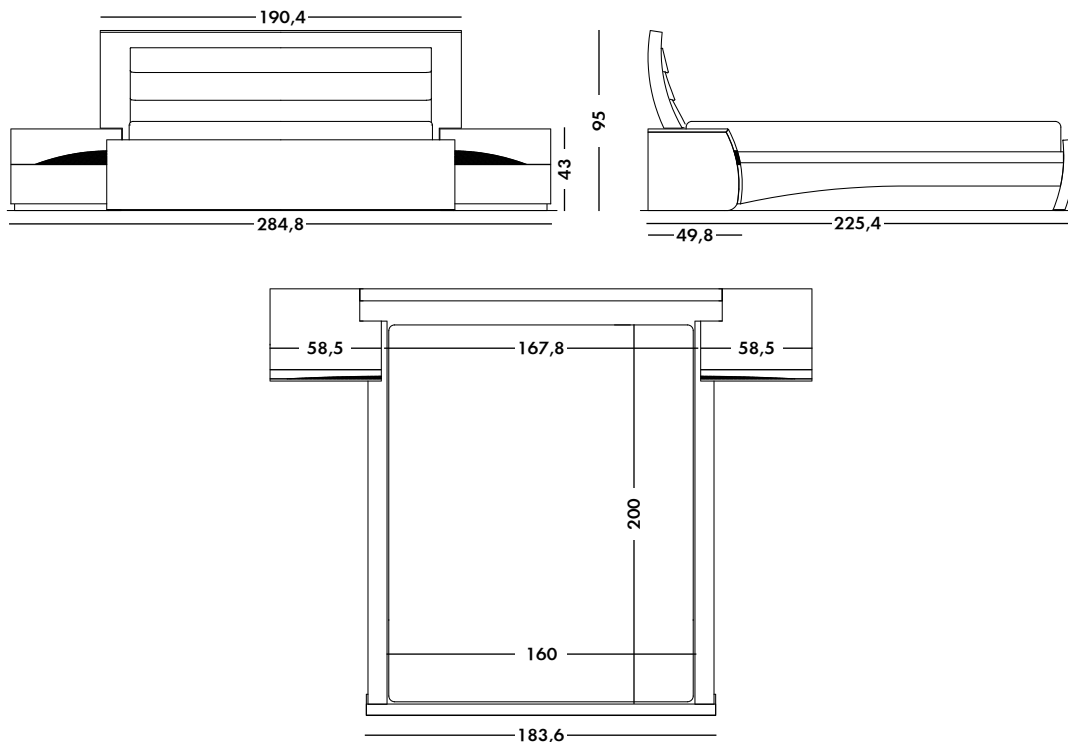
**Metal Frame:** a frame made by flexible wooden planks, each at 7cm (!) width, at 3cm distance from each other. This frame is suitable for mattresses made with the pocket springs system.

**Metal Frame Plus:** a frame made by flat (inflexible) wooden planks, each at 9cm (!) width, at 1.5cm distance from each other. This type of frame is suitable for latex mattresses.

All frames are lined with Italian fabric of exceptional quality (Bicoppia) in order to minimise the mattress damage and allow it to "breathe".

The standard bed dimensions are for 1.60x2.00 mattresses.

2/8



EXTERIOR DIMENSIONS			BEDSIDE TABLE		
Width	Length	Height	Width	Length	Height
284,8 cm (total)	225,4 cm	95 cm	58,5 cm	49,8 cm	43 cm
190,4 cm (headboard)			50 cm		
183,6 cm (front)			45 cm		

SARA  
bedside table



**TECHNICAL INFORMATION**

The internal structure is compact framework by chipboard and mdf.

3/8

**Wooden surfaces:**

Mdf, lined with oak, rustic oak, European ash, walnut natural veneer.

**Runner systems:**

Hettich Quadro 23 SFG, load capacity up to 25 kg, certified according to ENISO 9001, guarantee of 80,000 open/close cycles.

Fabric-leather-artificial leather cover, non removable.

# SARA

tall chest of drawers



## TECHNICAL INFORMATION

The internal structure is compact framework by chipboard and mdf.

4/8

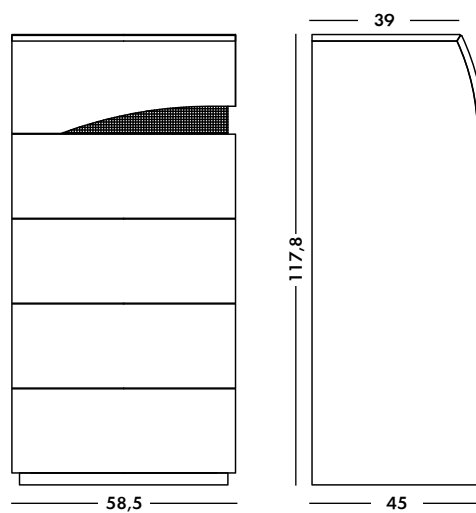
### Wooden surfaces:

Mdf, lined with oak, rustic oak, European ash, walnut natural veneer.

### Runner systems:

Hettich Quadro 23 SFG, load capacity up to 25 kg, certified according to ENISO 9001, guarantee of 80,000 open/close cycles.

Fabric-leather-artificial leather cover, non removable.



# SARA

whole body mirror with storage box



## TECHNICAL INFORMATION

The internal structure is compact framework by chipboard and mdf.

5/8

### Wooden surfaces:

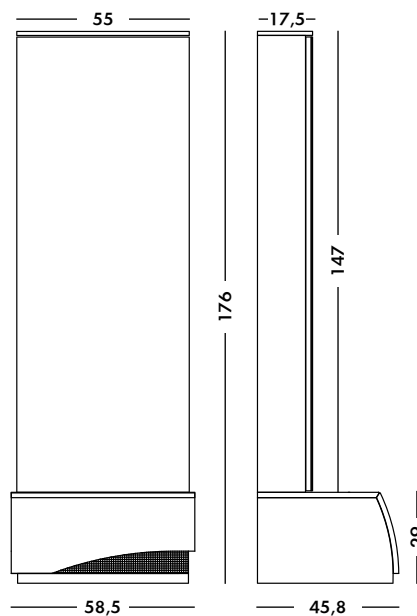
Mdf, lined with oak, rustic oak, European ash, walnut natural veneer.

### Runner systems:

Hettich Quadro 23 SFG, load capacity up to 25 kg, certified according to ENISO 9001, guarantee of 80,000 open/close cycles.

Hettich cabinet hinges.

Fabric-leather-artificial leather cover, non removable.



# SARA

chest of drawers with mirror



## TECHNICAL INFORMATION

The internal structure is compact framework by chipboard and mdf.

6/8

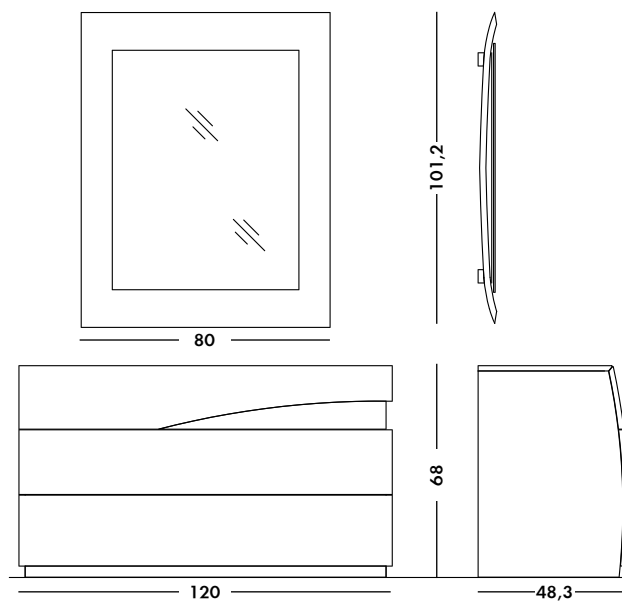
### Wooden surfaces:

Mdf, lined with oak, rustic oak, European ash, walnut natural veneer.

### Runner systems:

Hettich Quadro 23 SFG, load capacity up to 25 kg, certified according to ENISO 9001, guarantee of 80,000 open/close cycles.

Fabric-leather-artificial leather cover, non removable.



# SARA

whole body wall mirror



## TECHNICAL INFORMATION

The internal structure is compact framework by chipboard and mdf.

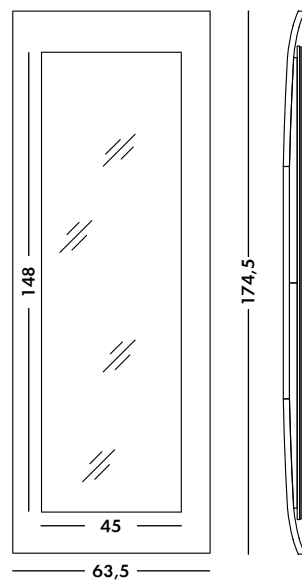
7/8

### Wooden surfaces:

Mdf, lined with oak, rustic oak, European ash, walnut natural veneer.

Dimensions are in cm.

The varnishes applied are Milesi wood coating, environmentally friendly, with ISO14001 certification.



# SARA\_\_

## COLORS

### Woods



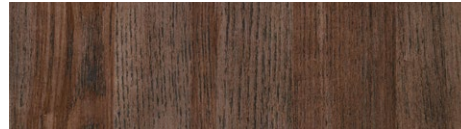
Olive



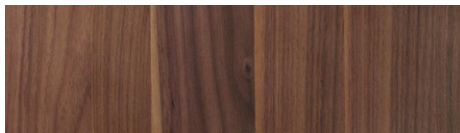
Olive rose



Olive dark



Olive more dark



Walnuts naturale



Walnuts cigar

### Leathers



Lotos 9000



Lotos BF 9000



Cayenne 1122



Cayenne 006

8/8

- The led type lighting units used at the optional equipment are produced by the German company Halemeier.
- The furniture mechanisms are produced by the German company Hettich.
- The varnishes applied are Milesi wood coating, environmentally friendly, with ISO14001 certification.

12/2017  
\* Patent design 2014060011 1,3

**Technical sheet**  
A. I. TZITZIS P.C.  
Orfeos 200 & Agapis 5 str  
Egaleo - Greece / p.c. 122 41  
T: +30 210 3413910 / F: +30 210 3413911  
e-mail: info@joinbeds.com / www.joinbeds.com

