



ALCESTIS pillow___ bed with bedside tables



1/7

ALCESTIS pillow

A modern view, with the addition of comfortable pillows with removable fabric at the headboard.

The wood, combined with solid iron, coloured with electrostatic paint, retains the vigour of this special design.

A noticeable combination of high aesthetics; warm with a hospitable character. There is a choice of material available for the pillows.

Offered in olivewood, oak or walnut.

Technical sheet

A. I. TZITZIS P.C.
Orfeos 200 & Agapis 5 str
Egaleo - Greece / p.c. 122 41
T: +30 210 3413910 / F: +30 210 3413911
e-mail: info@joinbeds.com / www.joinbeds.com

12/2017

* Patent design 20150600135 1,1

ALCESTIS pillow bed with bedside tables

TECHNICAL INFORMATION

Headboard (bed)

Fabric-leather-artificial leather cover, removable.

The internal structure is compact framework by chipboard and mdf.

Legs-Crossbeams

Mdf, lined with oak, rustic oak, European ash, walnut natural veneer.

Metallic solid iron, coloured with electrostatic paint at the base of the bed.

Frames-Mattress bases:

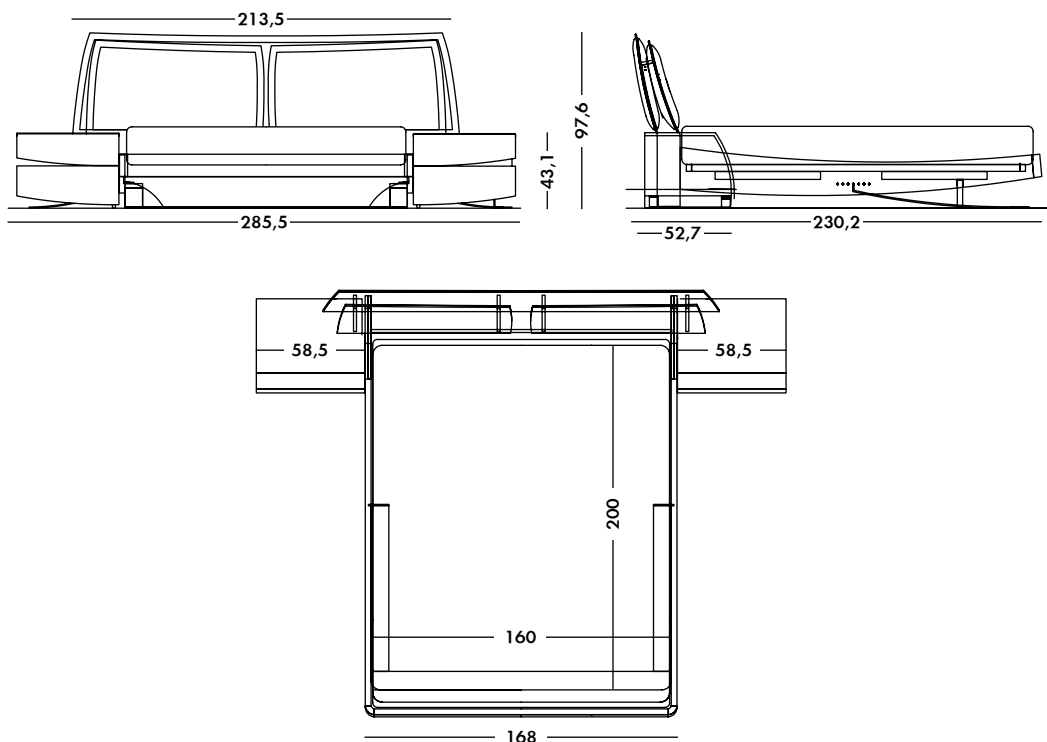
JOIN offers two types of frames.

Metal Frame: a frame made by flexible wooden planks, each at 7cm (!) width, at 3cm distance from each other. This frame is suitable for mattresses made with the pocket springs system.

Metal Frame Plus: a frame made by flat (inflexible) wooden planks, each at 9cm (!) width, at 1.5cm distance from each other. This type of frame is suitable for latex mattresses.

All frames are lined with Italian fabric of exceptional quality (Bicoppia) in order to minimise the mattress damage and allow it to "breathe".

The standard bed dimensions are for 1.60x2.00 mattresses.



2/7

EXTERIOR DIMENSIONS			BEDSIDE TABLE		
Width	Length	Height	Width	Length	Height
285,5 cm (total)	230,2 cm	95,6 cm	58,5 cm	52,7 cm	43,1 cm
213,5 cm (headboard)			50 cm		
168 cm (front)			45 cm		

ALCESTIS pillow___

bedside table



TECHNICAL INFORMATION

The internal structure is compact framework by chipboard and mdf.

3/7

Wooden surfaces:

Mdf, lined with oak, rustic oak, European ash, walnut natural veneer.

Runner systems:

Hettich Quadro 23 SFG, load capacity up to 25 kg, certified according to ENISO 9001, guarantee of 80,000 open/close cycles.

Metallic solid iron, coloured with electrostatic paint at the base and the knob.

ALCESTIS pillow

tall chest of drawers



TECHNICAL INFORMATION

The internal structure is compact framework by chipboard and mdf.

3/7

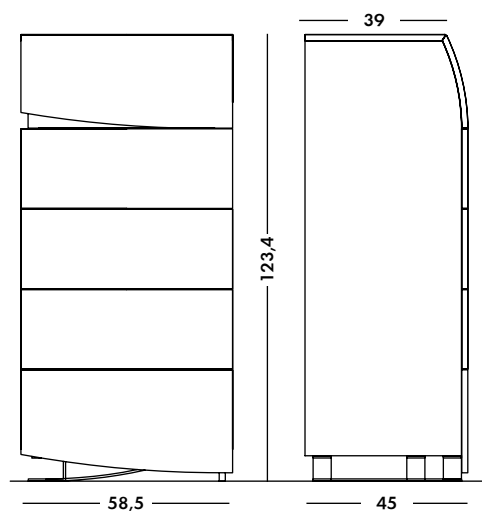
Wooden surfaces:

Mdf, lined with oak, rustic oak, European ash, walnut natural veneer.

Runner systems:

Hettich Quadro 23 SFG, load capacity up to 25 kg, certified according to ENISO 9001, guarantee of 80,000 open/close cycles.

Metallic solid iron, coloured with electrostatic paint at the base and the knob.



ALCESTIS pillow

whole body mirror with storage box



TECHNICAL INFORMATION

The internal structure is compact framework by chipboard and mdf.

4/7

Wooden surfaces:

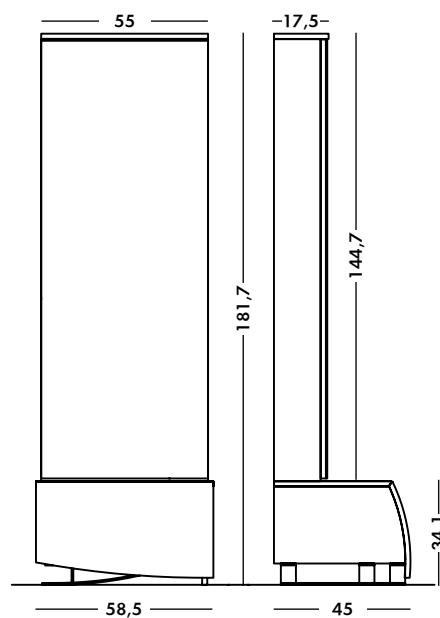
Mdf, lined with oak, rustic oak, European ash, walnut natural veneer.

Runner systems:

Hettich Quadro 23 SFG, load capacity up to 25 kg, certified according to ENISO 9001, guarantee of 80,000 open/close cycles.

Hettich cabinet hinges.

Metallic solid iron, coloured with electrostatic paint at the base and the mirror knobs.



ALCESTIS pillow

chest of drawers with mirror



TECHNICAL INFORMATION

The internal structure is compact framework by chipboard and mdf.

5/7

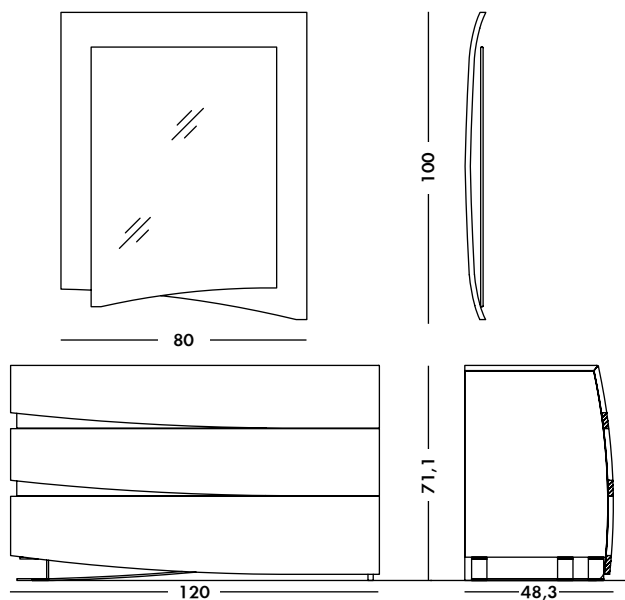
Wooden surfaces:

Mdf, lined with oak, rustic oak, European ash, walnut natural veneer.

Runner systems:

Hettich Quadro 23 SFG, load capacity up to 25 kg, certified according to ENISO 9001, guarantee of 80,000 open/close cycles.

Metallic solid iron, coloured with electrostatic paint at the base and the dresser knobs.



ALCESTIS pillow

whole body wall mirror



TECHNICAL INFORMATION

The internal structure is compact framework by chipboard and mdf.

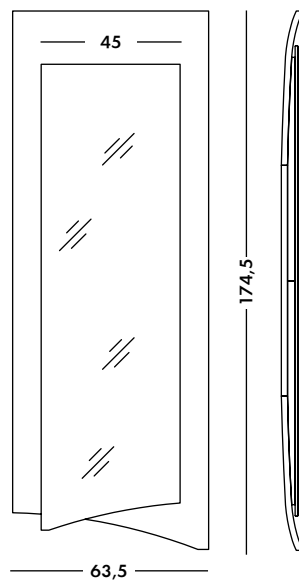
6/7

Wooden surfaces:

Mdf, lined with oak, rustic oak, European ash, walnut natural veneer.

Dimensions are in cm.

The varnishes applied are Milesi wood coating, environmentally friendly, with ISO14001 certification.



ALCESTIS pillow___

COLORS

Woods



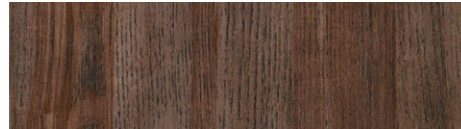
Olive



Olive rose



Olive dark



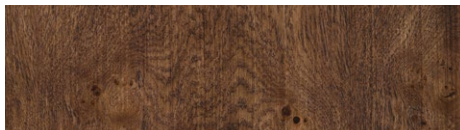
Olive more dark



Walnuts naturale



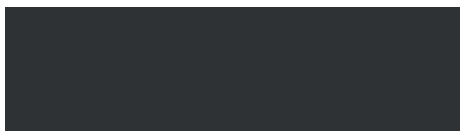
Walnuts cigar



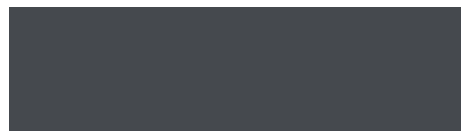
Oak rustic

Metals

7/7



Black Grey 7021



Graphite Grey 7024

- The led type lighting units used at the optional equipment are produced by the German company Halemeier.
- The furniture mechanisms are produced by the German company Hettich.
- The varnishes applied are Milesi wood coating, environmentally friendly, with ISO14001 certification.

12/2017
* Patent design 20150600135 1,1

Technical sheet
A. I. TZITZIS P.C.
Orfeos 200 & Agapis 5 str
Egaleo - Greece / p.c. 122 41
T: +30 210 3413910 / F: +30 210 3413911
e-mail: info@joinbeds.com / www.joinbeds.com

